



Accessories **M1**

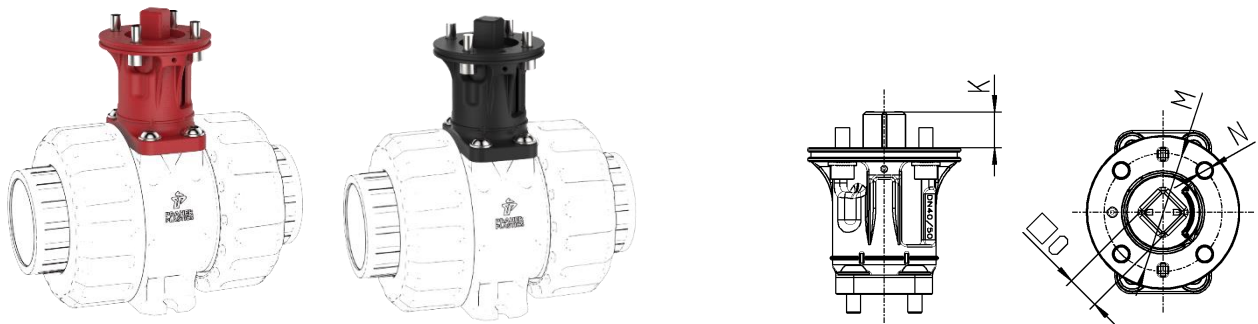
**DATASHEET**

# Accessories

## Adapter set for automation electric or pneumatic



Consist of:

- Bracket for mounting of actuator and position feedback
- Coupling for actuator
- Screws for mounting on ball valve and actuator



dimensions in mm

DN	10	15	20	25	32	40	50	65	80	80
d	16	20	25	32	40	50	63	75	90	110
K	11	11	11	11	15	15	15	18	18	18
M	42	42	42	42	50	50	50	70	70	70
N	5,5	5,5	5,5	5,5	6,5	6,5	6,5	8,5	8,5	8,5
O	11	11	11	11	14	14	14	17	17	17
ISO5211	F04	F04	F04	F04	F05	F05	F05	F07	F07	F07

		
Material	PP-GF	PA-GF
Product line	chemical resistance	high durability
Acid resistance	++	0
Tensile modulus of elasticity	+	++
Flexural modulus of elasticity	+	+++
Notch impact strength (23°C)	+	+
Main applications	Electrolysis Acid applications Chrome, Copper, hydrofluoric acid	Water applications Ultrafiltration Semiconductor industry
Recommended installation	Horizontal	Horizontal Vertical (support the actuator)
Recommended maintenance	Short maintenance intervals	Regular inspections
Recommended accessories	Silencer for pneumatic actuator	
M1 Ball Valve	PVC-U / PP-H / PVDF	
ISO 5211	F04 / F05 / F07	

# Accessories

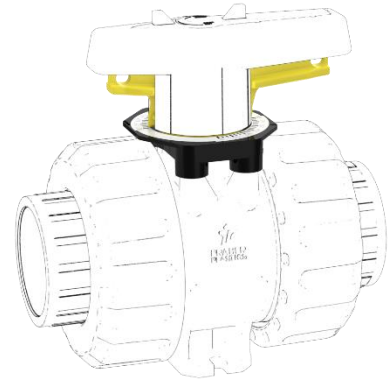
## Flow Adjust

Consist of:

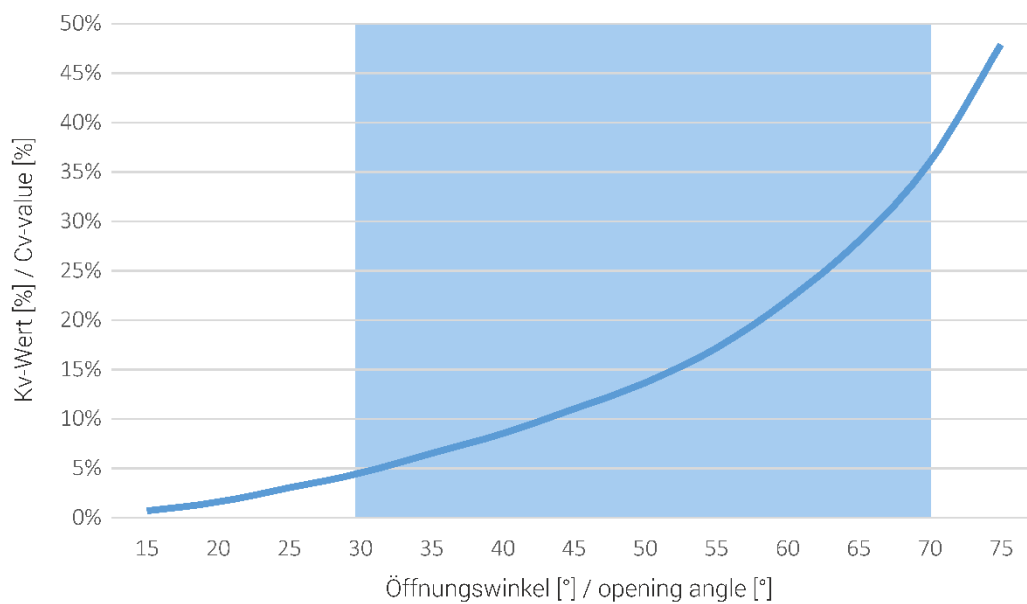
- Grid console
- Locking sleeve for Flow Adjust
- Assembly instruction

Functionality:

- Two arrows on the locking sleeve mark the opening angle
- Scaling on the grid console is marked into 5° steps
- 15° positions are marked with a long line



M1 Flow Adjust Durchflusscharakteristik  
*M1 Flow Adjust flow characteristic*

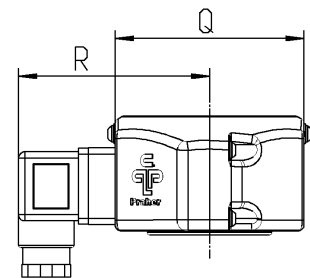
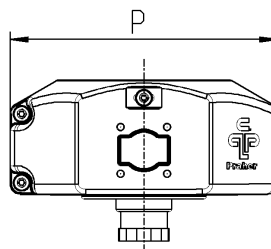
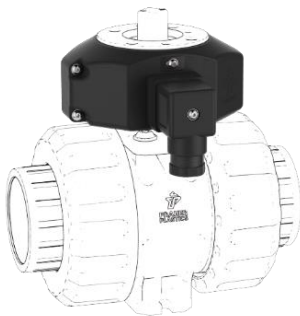


# Accessories

## Half shell set with position feedback for hand operated and automatic ball valves

Consist of:

- Half shells including limit switch mechanical, inductive or NAMUR
- Device plug
- Screws for half shells
- Locking screws for adjusting position feedback
- including coupling mechanical , inductive or NAMUR



dimensions in mm

DN	10	15	20	25	32	40	50	65	80	80
d	16	20	25	32	40	50	63	75	90	110
P	98	98	102	102	105	105	105	116	116	116
Q	64	64	64	64	74	74	74	99	99	99
R	70	70	70	70	75	75	75	88	88	88

## Feedback set for hand operated ball valve DN10 – DN80 d110



Consist of:

- Half shells including limit switch mechanical, inductive or NAMUR
- Cover
- Coupling for handle
- Device plug
- Screws for half shells
- Locking screws for adjusting position feedback
- Screws for mounting on the ball valve
- Bracket for mounting of the position feedback

# Accessories

## Feedback set for automatic ball valve DN10 – DN80 d110



Consist of:

- Half shells including limit switch mechanical, inductive or NAMUR
- Coupling for actuator
- Device plug
- Screws for half shells
- Locking screws for adjusting position feedback
- Screws for mounting on the ball valve and actuator
- Bracket for mounting of the position feedback

# Technical data position feedback

Limit switch mechanical		
Type	(Ag-Ni) NO/NC*	(Au) NO*/NC*
Voltage max.	15-250V AC (15-30V DC)	5-250V AC (5-30V DC)
Current max.	100mA-5A	1mA-3A
Protection limit switch	IP67	
Protection DIN-plug	IP65	
Ambient temperature	-10°C bis +50°C	
Electric wiring	NO	NC
A pressed ... open		
B pressed... closed		

\* on request

Limit switch inductive		
Type	NPN*/PNP	NAMUR EMV acc. IEC / EN 60947-5-2:2004; NE 21 DIN EN 60947-5-6
Voltage max.	10-30V DC	8V DC
Current max.	0-100mA	NAMUR intrinsically safe
Protection limit switch	IP67	
Protection DIN-plug	IP65	
Ambient temperature	-10°C bis +50°C	
Electric wiring		

\* on request

# Accessories

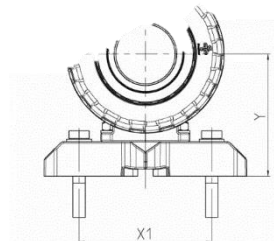
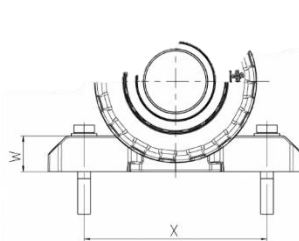
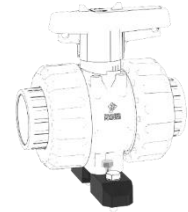
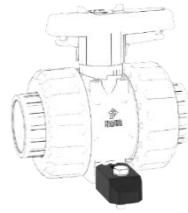
## Clamping and spacing element

Use for mounting as a clamping element

- Floor / ceiling / wall
- Plate
- Additional screws necessary

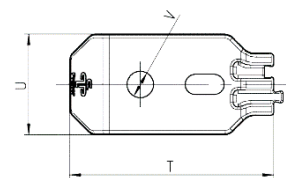
Use for mounting as a spacing element

- For flange connection
- Additional screws necessary



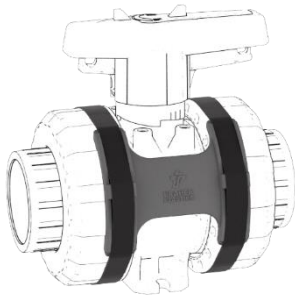
dimensions in mm

DN	10	15	20	25	32	40	50
d	16	20	25	32	40	50	63
T	54	54	54	65	65	65	65
U	25	25	25	32	32	32	32
V	6,5	6,5	6,5	8,5	8,5	8,5	8,5
W	16	16	16	22	22	22	22
X	90	90	94	107	109	114	119
X1	70	70	70	85	85	85	85
Y	49	49	56	65	73	78	86



# Accessories

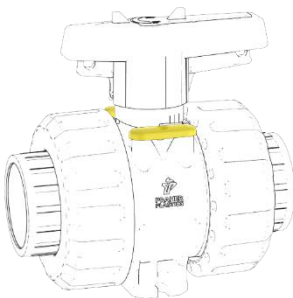
## Union nut locking for ball valve DN10 – DN80 d110



Consist of:

- Plate for PVC-U or PP-H / PVDF ball valve
- Velcro straps for fixation

## Cover for ball valve DN10 – DN80 d110

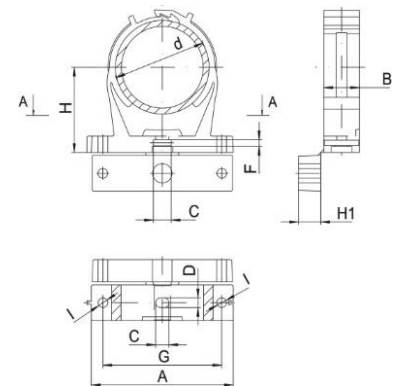


Consist of:

- Cover for PVC-U, PP-H and PVDF ball valve
- Pack unit 50 pieces
- Including eyelet for marking



## Pipe clip type B



dimensions in mm

d	20 - 23	25 - 28	31 - 35	39 - 43	47 - 51	60 - 65	72 - 80	87 - 95
A	56	61	67	80	84,5	96,5	126	137
B	14	16	16	17,5	20	24	26	26
C	9	9	9	9	9	9	12	12
D	6,5	6,5	6,5	6,5	6,5	6,5	8,5	8,5
F	3,5	3,5	3,5	3,5	3,5	3,5	4,3	4,3
G	41	47	52	64	70	80	106	117
H	27	30	31,5	37	41	49	70	80
H1	6	10	11,5	14	15	15	15	20
I	6,5	6,5	6,5	6,5	6,5	6,5	8,5	8,5



# Accessories

## PLS – Praher Labeling System

### Features

- Clear and durable label
- Convenient marking by touch-up pen or laser engraving
- Standard version in yellow, blue, green and red
- Simple and easy to change
- Corrosion-resistant
- No effect on the function of the handle



## Limit switch box for pneumatic actuator

### General

- Limit switch box with two mechanical switches
- Protection IP65
- Cable gland M20\*1,5

### Material

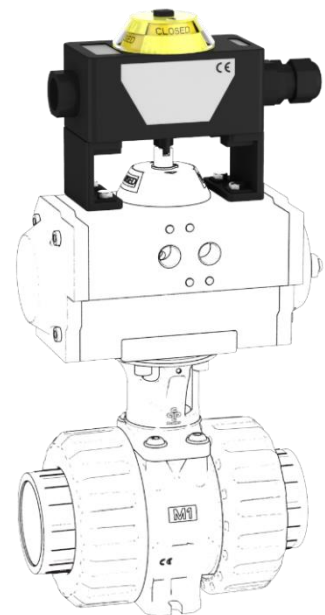
- Body: polycarbonat black
- Cover: polycarbonat clear
- Mounting bracket and screws: stainless steel
- Seals: EPDM

### Voltage

- 1 – 250V

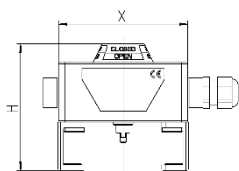
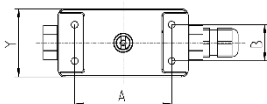
### Current

- 16 A (250V AC)
- 2,5 A (24 DC)



dimensions in mm

A	B	H	X	Y
80	30	110	107	56



# Accessories

## Solenoid valve

### General

- Solenoid valve NAMUR with combined 5/2- and 3/2- ways function and standard coil function
- Easy switch from 5/2- to 3/2- ways by turning the sealing plate
- Manual override as standard
- Protection IP65

### Material

- Body: aluminium
- Piston: aluminium
- Seals: NBR
- Screws and spring: stainless steel

### Voltage

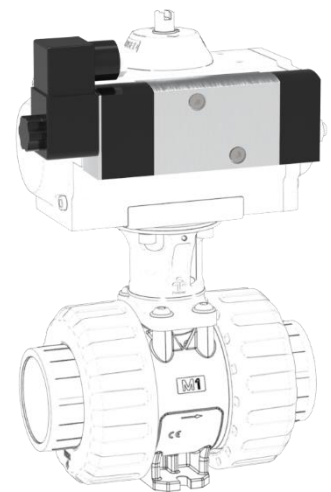
- 24V DC
- 110V AC
- 230V AC

### Accessories

- Flow control silencer
- Silencer

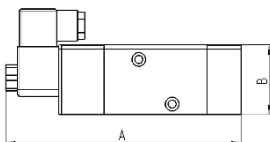
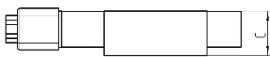
### Versions

- Atex protected



dimensions in mm

A	B	C
139	45	33



# Accessories

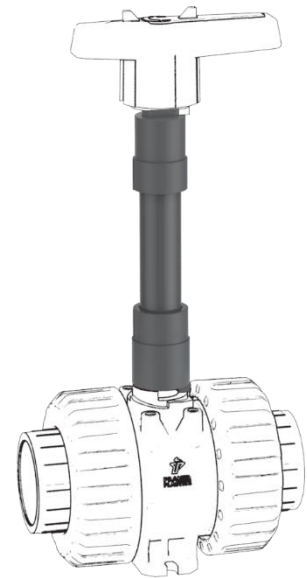
## Handle elongation

Material:	PVC-U
Dimensions:	DN10 – DN80 d110
Standard pipe length:	200 mm
Max. pipe length possible:	1 m

### Features

- Simple assembly by gluing the handle- and shaft-coupling with a metric pipe
- Marking on handle- and shaft-coupling for alignment to the ball valve
- Subsequent installation in existing installation possible
- Direction arrows on the handle coupling show the flow direction of the ball valve when handle is removed

Further details see data sheet for handle extension 2W and 3W ball valve





## **Praher Plastics Austria GmbH**

Poneggenstraße 5  
4311 Schwertberg  
Österreich

T +43 7262 61178-0  
F +43 7262 61203  
sales@praherplastics.com

M1 Ball Valve Series – Modularity for any application

<https://youtu.be/aAF5omvfaoM>



© Praher Plastics Austria GmbH  
Zertifiziert nach / certified acc. to  
EN ISO 9001:2015

DB/DEEN/23/06/453B

Diese Druckschrift enthält keine Gewährleistungszusagen, sondern will lediglich eine erste Information vermitteln. Das Programm wird ständig erweitert, daher entsprechen die Ausführungen und Typen dem Stand bei Drucklegung. Technische Änderungen vorbehalten!

This document contains no warranties, but simply conveys initial information. The program is constantly expanding and therefore the versions and types correspond to the state on the date of printing. Subject to technical changes!



[www.praher-plastics.com](http://www.praher-plastics.com)